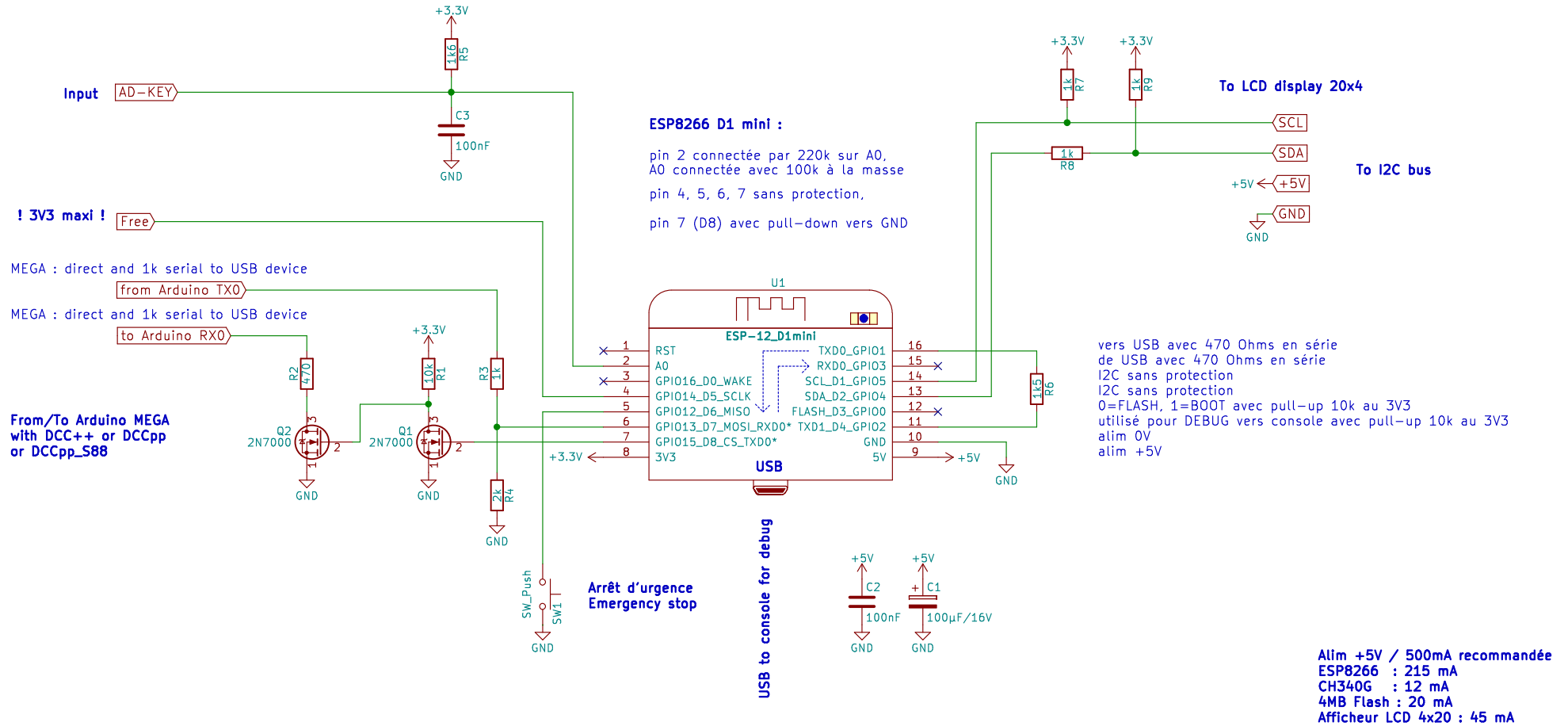


# WiFi



Interface serveur WiFi en DHCP entre Arduino MEGA DCCpp\_S88 et client HTTP

Designer : Philippe Chavatte

Sheet: /  
 File: ESP8266\_WiFi interface.sch

**Title: ESP8266 WiFi interface to Arduino**

Size: A4 Date: 12 aout 2019

KiCad E.D.A. kicad 4.0.7

Rev: 1

Id: 1/1